

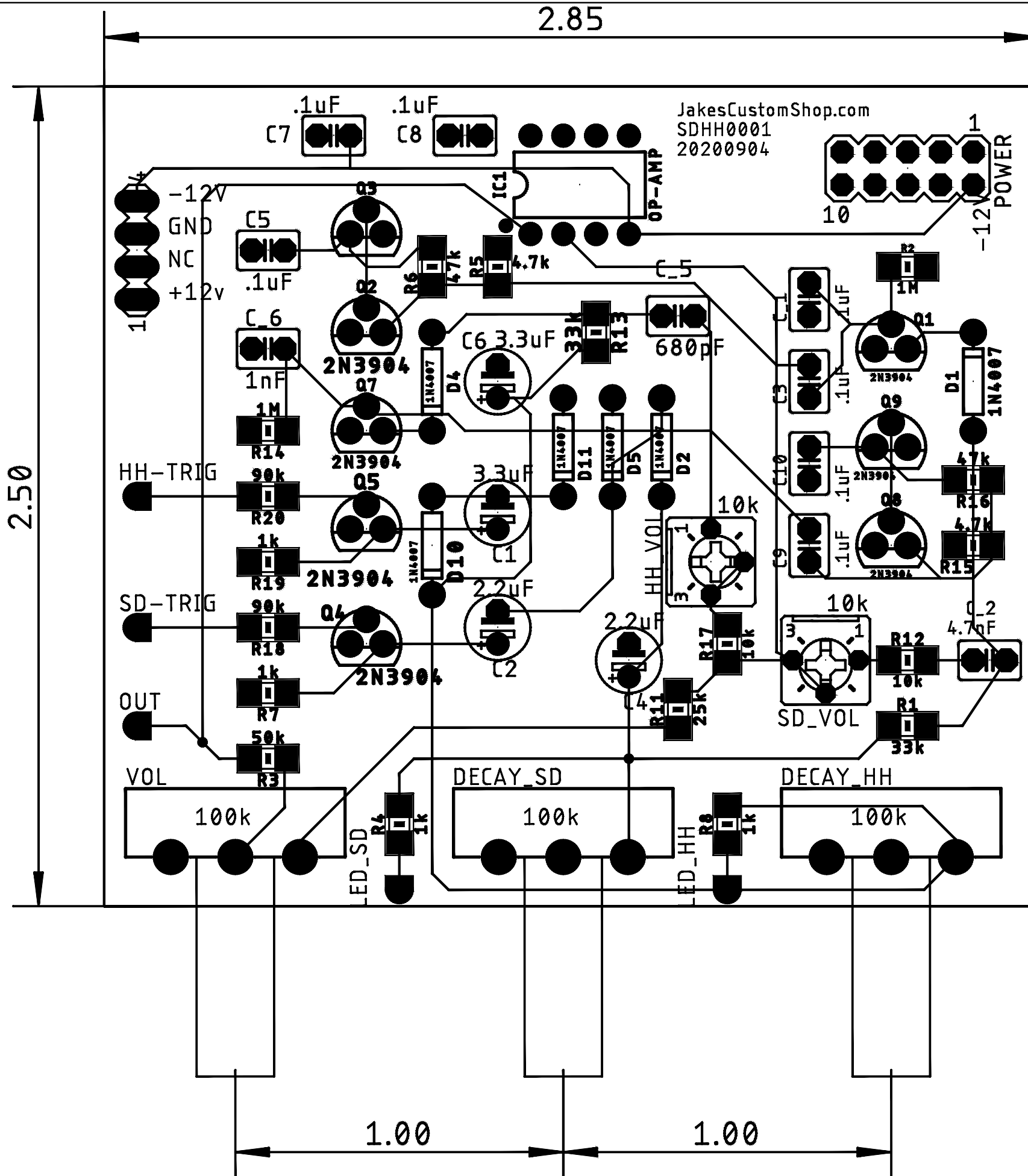
NOTE: CLAMP BOTH SIDES OF HOLE AS CLOSE AS POSSIBLE TO AVOID WARPING METAL W/ DRILL.

NOTE: REQ. 4-9/16" CLEARANCE BETWEEN MOUNTING RAIL. (STD)

SCALE: 1:1  
SHEET SIZE: 11X17

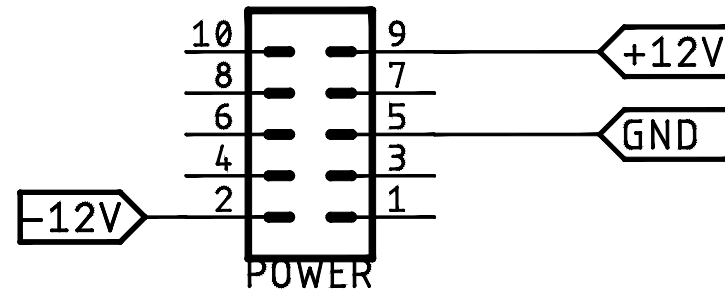
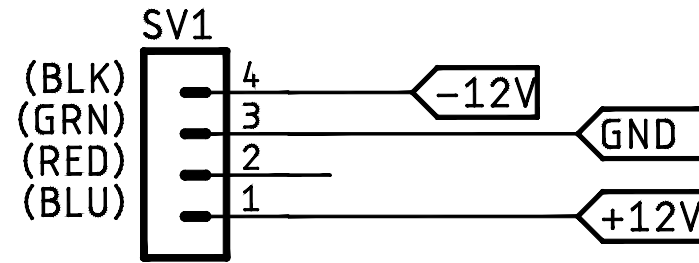
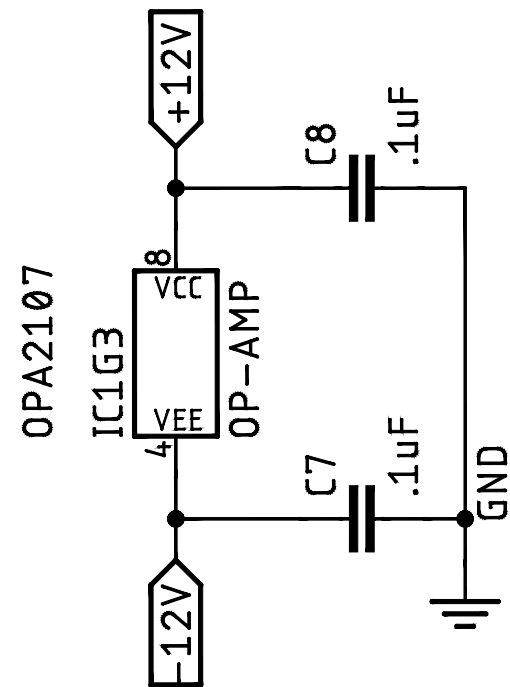
22AWG SHEET METAL or  
1/16" ANODIZED AL

NO.	DATE	REVISIONS	BY	CHK.
1	09/04/20	Quote/Approval Drawing Set	JAL	JAL
2	09/14/20	Production Drawing Set	JAL	JAL
3	01/24/21	As-Built Drawing Set	JAL	JAL



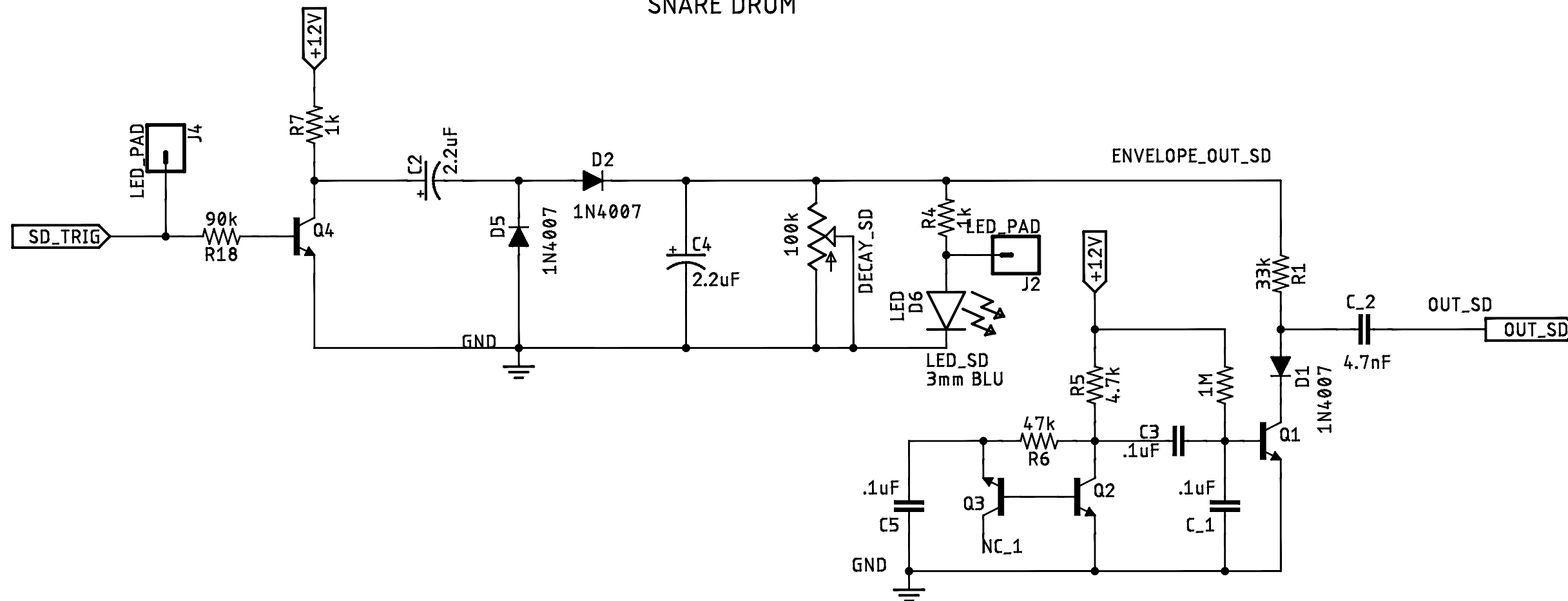
JakesCustomShop.com  
SDHH0001  
20200904

NO.	DATE	REVISIONS	BY	CHK.
1	09/04/20	Quote/Approval Drawing Set	JAL	JAL
2	09/14/20	Production Drawing Set	JAL	JAL
3	01/24/21	As-Built Drawing Set	JAL	JAL

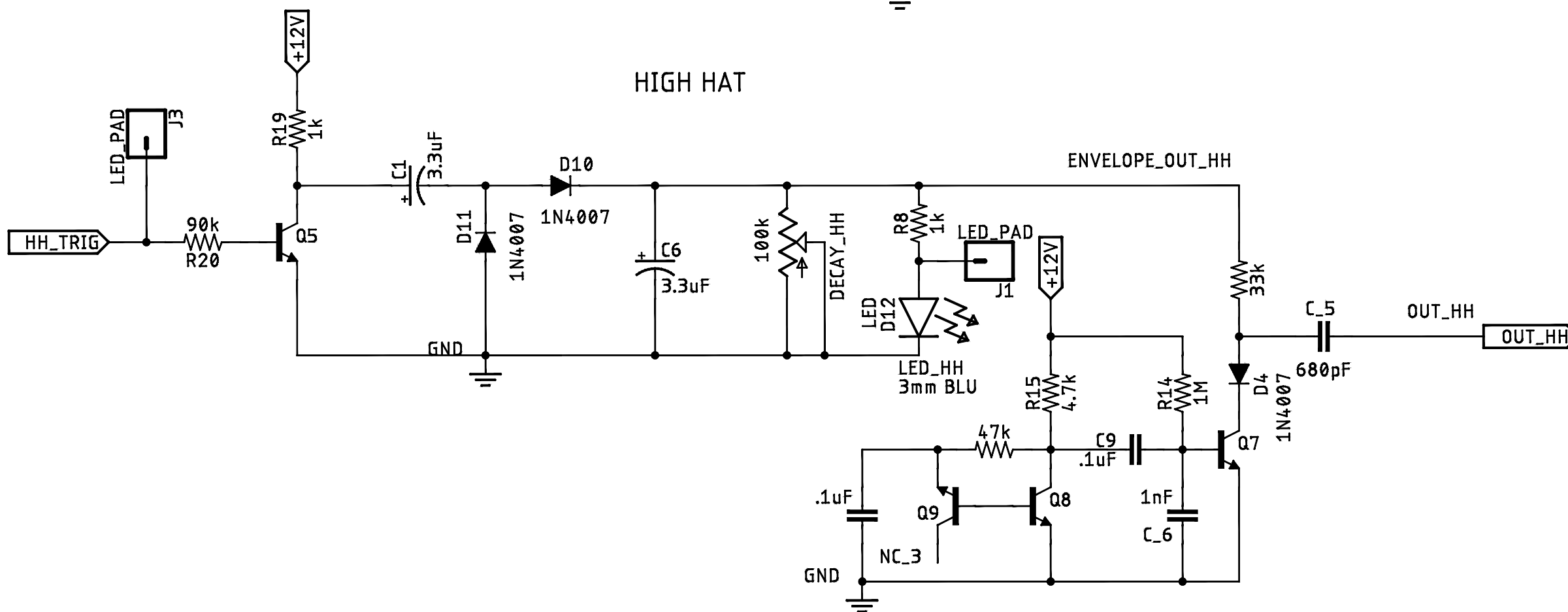


NO.	DATE	REVISIONS	BY	CHK.
1	09/04/20	Quote/Approval Drawing Set	JAL	JAL
2	09/14/20	Production Drawing Set	JAL	JAL
3	01/24/21	As-Built Drawing Set	JAL	JAL

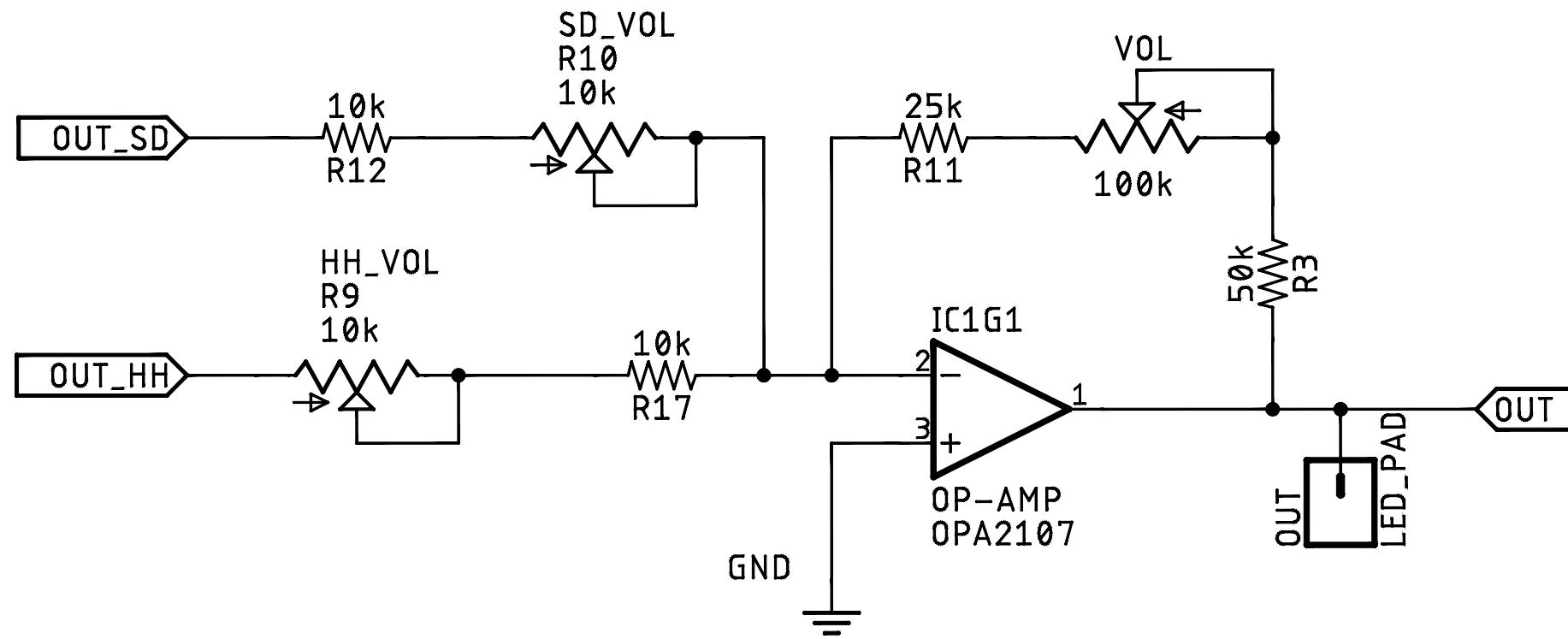
### SNARE DRUM



### HIGH HAT



NO.	DATE	REVISIONS	BY	CHK.
1	09/04/20	Quote/Approval Drawing Set	JAL	JAL
2	09/14/20	Production Drawing Set	JAL	JAL
3	01/24/21	As-Built Drawing Set	JAL	JAL



NOTE: 10K POTS INCREASED TO 100K.

NO.	DATE	REVISIONS	BY	CHK.
1	09/04/20	Quote/Approval Drawing Set	JAL	JAL
2	09/14/20	Production Drawing Set	JAL	JAL
3	01/24/21	As-Built Drawing Set	JAL	JAL